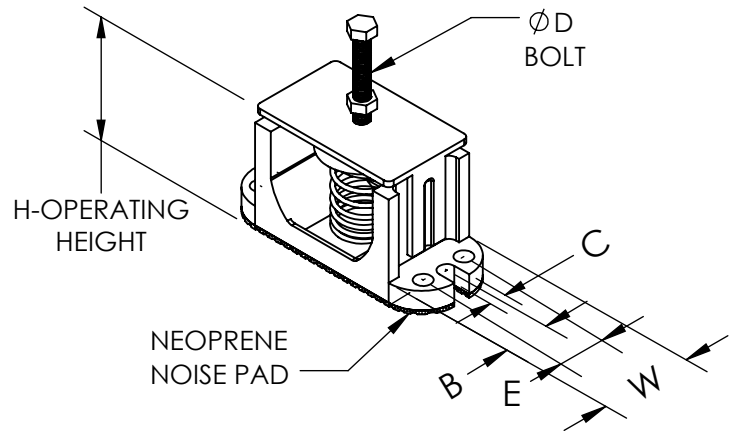
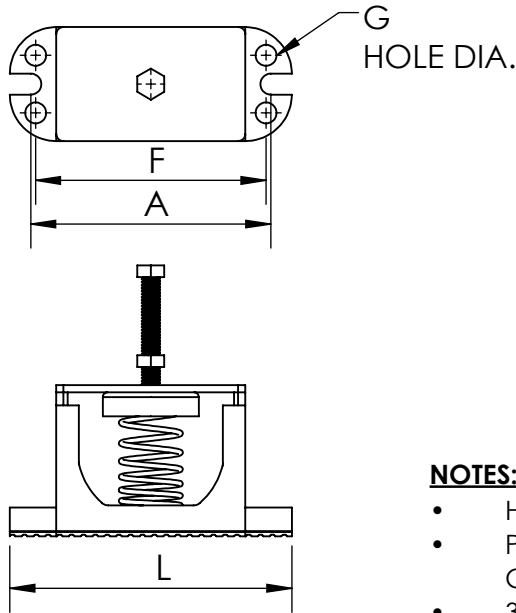




DATE: TAG:
 JOB:
 PROJECT:
 COMPANY:
 SALES PERSON:

ISOLATOR SUBMITTAL
 HOUSED SPRING, 1" DEFLECTION



NOTES:

- HOUSED COIL SPRING ISOLATOR WITH INTERNAL SNUBBERS
- POWDER COATED SPRING ELEMENTS, ALL OTHER METALLIC COMPONENTS ARE BRIGHT ZINC PLATED
- 35A/805A HOUSINGS ARE CAST ALUMINIUM
- 50C/3500C ARE CAST IRON
- 50% MINIMUM OVERLOAD

DIMENSIONAL DATA

MODEL		SPRING COIL					
		COLOR		FREE HT	O.D.	RATED (LBS)	
TYPE	SIZE	OUTER	INNER			LOAD	DEFL.
SL	35A	BLUE		3.19	1.75	35	1.52
SL	70A	GREEN		3.19	1.75	70	1.36
SL	120A	GRAY		3.19	1.75	120	1.18
SL	220A	BROWN		3.19	1.75	220	1.07
SL	370A	ORANGE		3.19	1.75	370	0.96
SL	500A	BEIGE		3.19	1.75	500	1.00
SL	600A	CHROME		3.19	1.75	600	1.00
SL	700A	BEIGE	WHITE	3.19	1.75	700	1.00
SL	805A	CHROME	WHITE	3.19	1.75	805	1.01
SL	50C	BEIGE		4.20	3.00	50	1.00
SL	100C	CHROME		4.20	3.00	100	1.00
SL	250C	BLUE		4.20	3.00	250	1.79
SL	450C	GREEN		4.20	3.00	450	1.54
SL	625C	BLACK		4.20	3.00	625	1.44
SL	800C	GRAY		4.20	3.00	800	1.31
SL	1000C	RED		4.20	3.00	1000	1.15
SL	1250C	BROWN		4.20	3.00	1250	1.09
SL	1700C	ORANGE		4.20	3.00	1700	0.95
SL	2200C	ORANGE	GRAY	4.20	3.00	2200	1.00
SL	2465C	BLUE		4.20	3.00	2465	1.00
SL	2865C	BLUE	GRAY	4.20	3.00	2865	1.00
SL	3500C	BLUE	BROWN	4.20	3.00	3500	1.00

Dim.	SIZE	
	35A/805A	50C/3500C
A	5.63	8.00
B	1.06	1.75
C	0.31	0.44
D	0.38	0.63
E	-	2.00
F	-	7.50
G	-	0.44
H	3.50	5.00
L	6.13	9.00
W	2.13	3.50

ALL DIMENSIONS ARE IN INCHES

REVISION:

FORM:

REPLACES: